

# kilimanjaro Glass Coffee Table

UPC: 815855020666

SKU: BC125-B



**FAB GLASS  
AND MIRROR**

# Thank you

Congratulations on the purchase of your new coffee table! We've made it very easy to install. Please read the following instructions carefully before you begin to install the coffee table. Using any other methods to install the Glass may lead to it breaking and will invalidate the warranty.

## Glass Handling Cautions

Please read every step in the instructions before you begin installation. You are responsible for assembling, installing and taking care of your Glass according to the instructions. Users who fail to heed the instructions run the risk of injury, so please be careful and work with caution.

## Hardware Included with this order

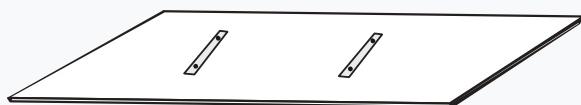


Table Top  
(Qty - 1)



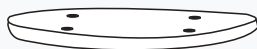
Base  
(Qty - 1)



State Legs  
(Qty - 3)



Glass Table Top  
(Qty - 1)



Small Sheets  
(Qty - 2)



Rods  
(Qty - 4)



Double Side  
Tape(Qty - 2)



Washers  
(Qty - 4)

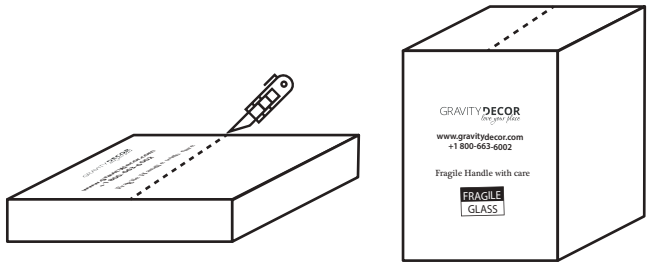


Nuts  
(Qty - 4)



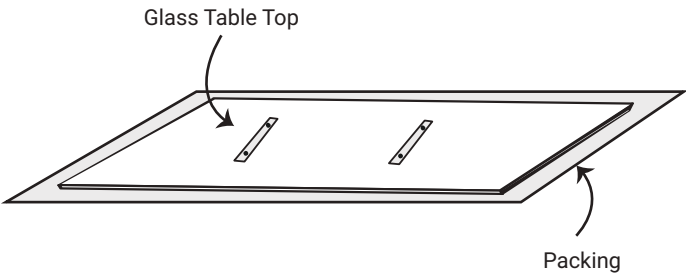
Tighten Key  
(Qty - 1)

1



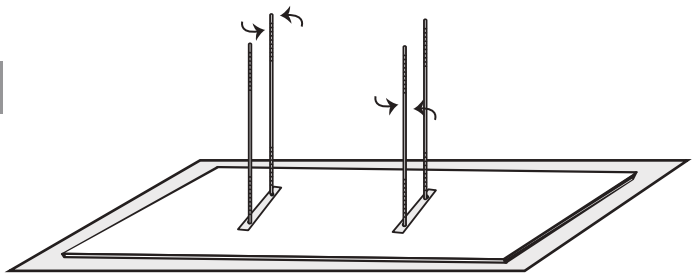
Open the table and accessories and remove from packaging, as per picture.

2



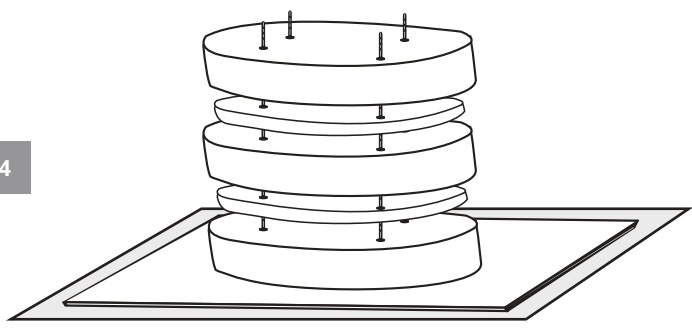
Place your glass table top upside down in a way that you can see its screw holes on top.

3



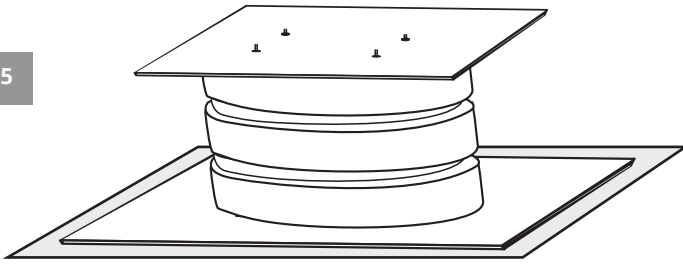
Now, tighten the rods manually on Glass Table Top.

4



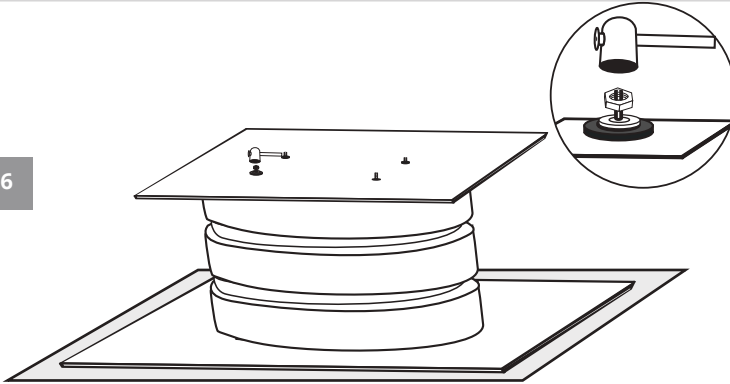
Insert the oval wide and thin legs in sequence; first the wider leg and then the thin leg

5



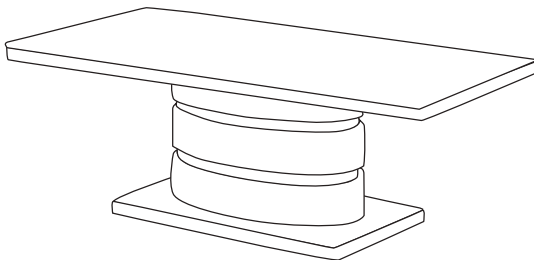
Insert the table base.

6



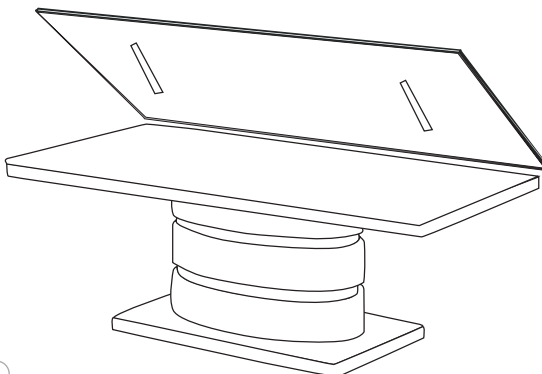
Tightening the nut and washer by using the tightening key

6

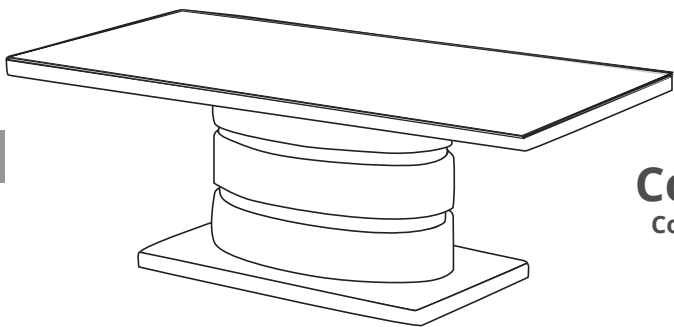


Turn the table around.

7



Place the double side tape on back of glass table top, and press on table top from tape side.



**Congratulations!**

Congratulations, your table is  
ready for use!