

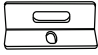


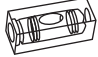


FAB GLASS AND MIRROR

www.fabglassandmirror.com

Assembly Instructions

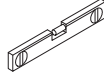







Customer Service
US: +1 888-474-2221

Glassless Mirror

Inside The Box					
	A: L-Shaped Brackets x 4 pcs		B: Expansion Screws x 4 pcs		C: Self Tapping Screws x 4 pcs
	D: Surface Leveler		E: Gloves x 1 Pair		F: Glassless Mirror



Tools Required

	
Spirit level	Tape measure
	
Power drill	Drill Bits
	
Pencil	Screw driver
	
Rubber hammer	Safety glasses



Handle with care:

Risk of injury or product damage. Handle the Glass Less Mirror with care during installation. Do not allow the mirror to come in direct contact with metal objects or hard surfaces as it may lead to damage. Always use soft gaskets or padding between the mirror and any hard surfaces during installation. Avoid using tools directly on the mirror edges to prevent chipping or breakage. Do not attempt to alter the shape or size of the mirror as it is designed to fit specific settings without modifications.



Important Note



1. Avoid Hard Objects:

Do not touch the GlassLess Mirror with hard objects to prevent scratches or damage to the surface.



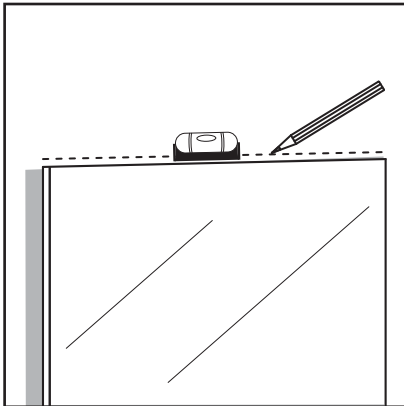
2. Handle Gently:

Do not press on the Glass Less Mirror surface to avoid distorting the reflective material.



3. Screw Installation:

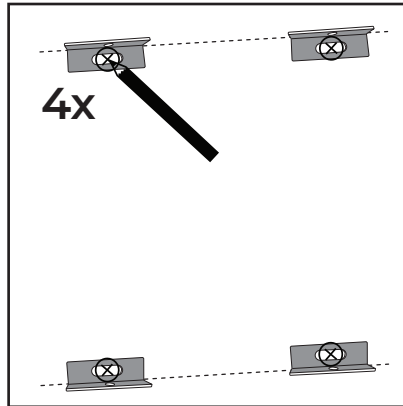
Use self-tapping screws for mounting, ensuring they are snug but not overtightened to avoid distorting the aluminum frame.



Step 1:

Leveling the Mirror Frame

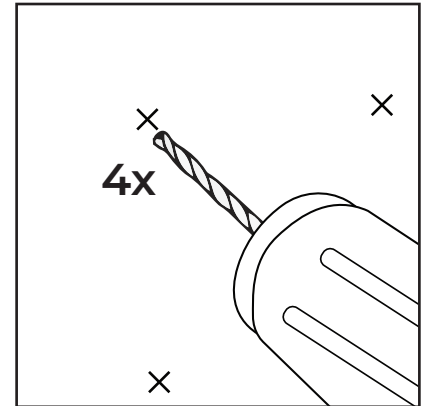
- Place the horizontal bubble level on top of the mirror frame to ensure the mirror is perfectly level.
- Mark the top and bottom line on the wall using a pencil along the frame's edge, following the level's guide.



Step 2:

Positioning the Brackets

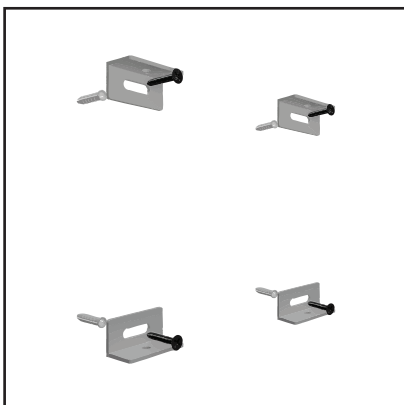
- Position the four L-shaped brackets at each corner of the marked frame area.
- Ensure each bracket aligns with the marked line for accurate placement before securing.



Step 3:

Drilling Holes for Brackets

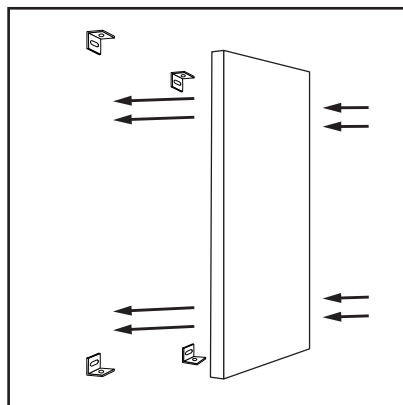
- Use a drill to create four holes where the bracket markings align on the wall.
- Make sure to drill the holes with appropriate depth to fit the expansion screws securely.



Step 4:

Leveling the Mirror Frame

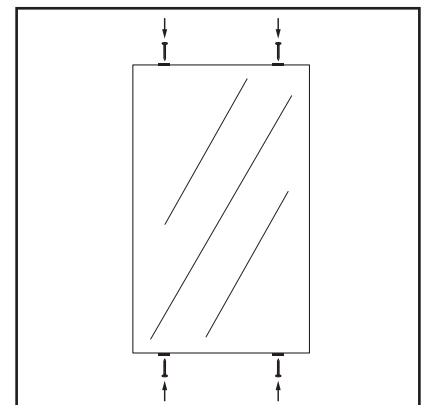
- Insert the expansion screws into the drilled holes to prepare for bracket mounting.
- Ensure each expansion screw is flush with the wall for a stable bracket fit.



Step 5:

Positioning the Brackets

- Attach the L-shaped brackets to the wall by aligning them with the expansion screws.
- Secure each bracket tightly using the self-tapping screws provided.



Step 6:

Drilling Holes for Brackets

- Carefully place the mirror frame onto the mounted brackets, aligning the edges evenly.
- Tighten the screws at the top and bottom to lock the mirror securely in place on the wall.