



FAB GLASS  
AND MIRROR

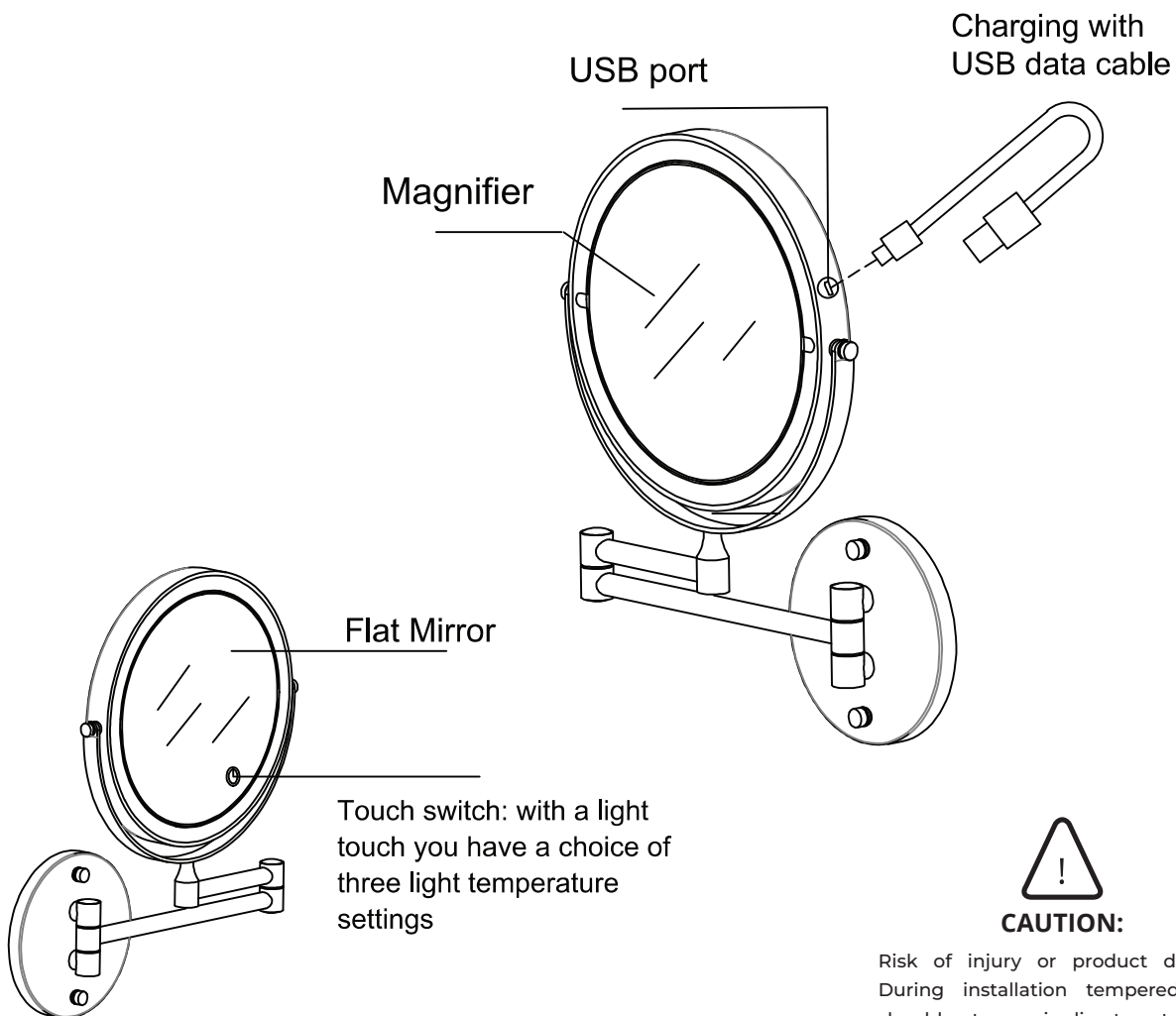
# FAB GLASS AND MIRROR

www.fabglassandmirror.com

## Assembly Instructions

Customer Service  
US: +1 888-474-2221

### Makeup Mirror Installation

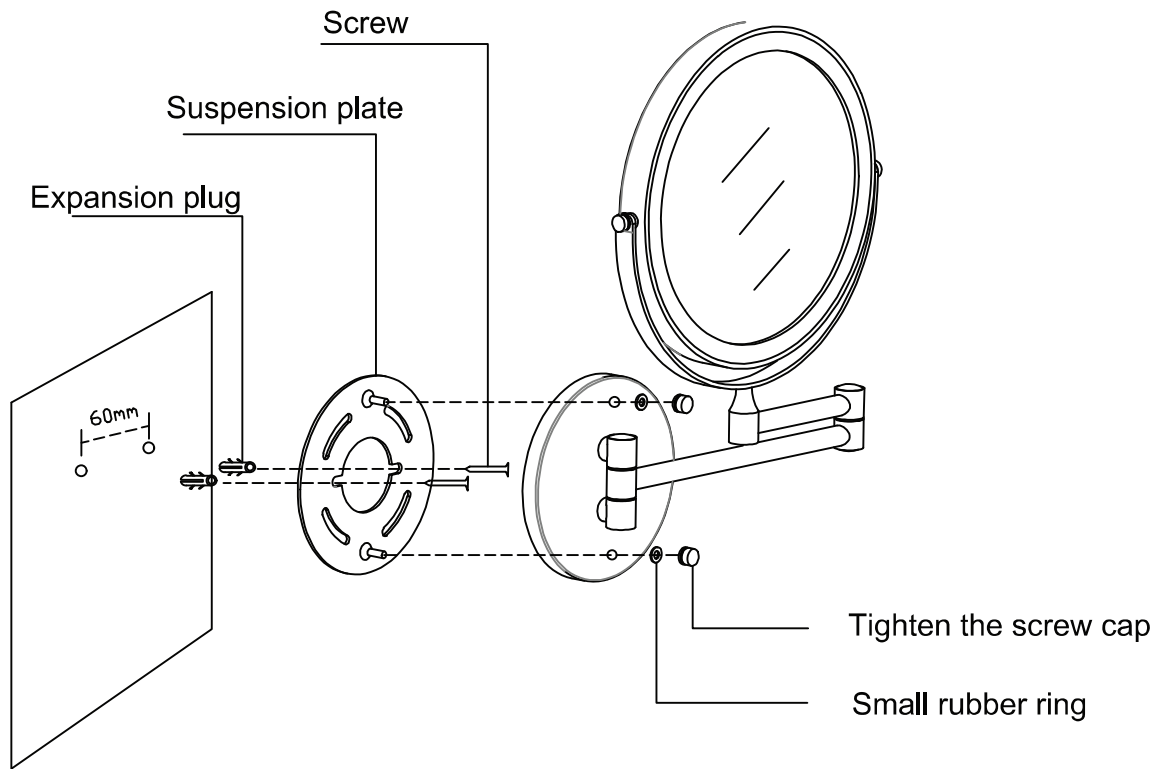


#### CAUTION:

Risk of injury or product damage. During installation tempered glass should not come in direct contact with metal parts or it may shatter. Gaskets must always be used between glass and metal. Do not touch the edges of tempered glass with tools. Do not attempt to cut tempered glass as it will shatter.

USB cable can be used to charge the mirror,  
after the mirror is fully charged the light will  
operate for 4-5 hours

### Detailed Diagram of Makeup Mirror Installation



- Installation step:
- 1 Using a diameter impact drill, drill two holes in the wall (60mm apart)
  - 2 Put in the expansion plug
  - 3 Fix the suspension plate with screws and tighten
  - 4 Install the mirror and tighten the screw cap to complete the installation

### No-punch installation instruction

