

FAB GLASS AND MIRROR

www.fabglassandmirror.com

Assembly Instructions

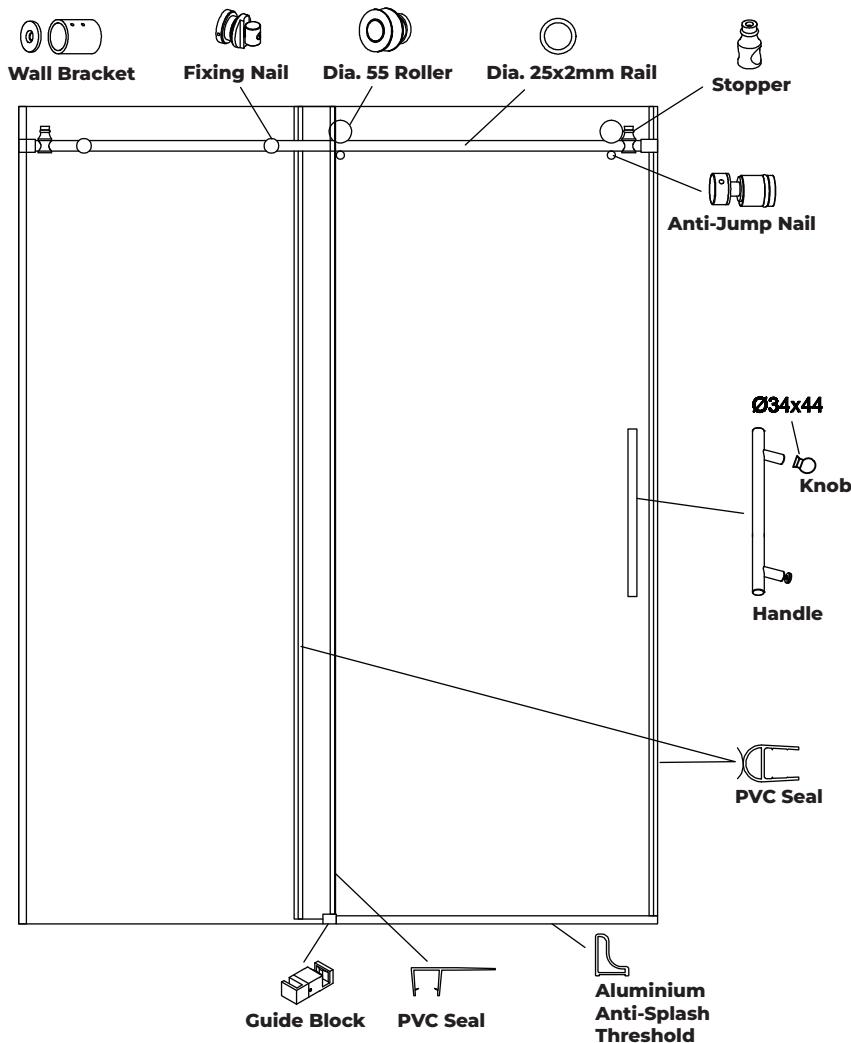
Customer Service
US: +1 888-474-2221

Murano Lux Single Sliding Shower Door

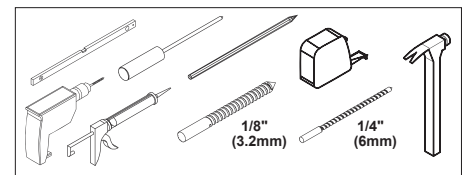
Installation Hardware

No#	Description	No#	Description	No#	Description	No#	Description
1	Wall Bracket x2	6	Dia. 55 Roller x2	11	Side Stopper x2	16	Door Handle x1
2	Fixing Nail x2	7	Dia. 25x2mm Rail x1	12	Anti Jump Nail x2	17	Glass Panel x2
3	Knob x1	8	Guide Rail x1	13	Central Stopper x1		
4	PVC Seal x1	9	PVC Seal x1	14	Anti-Splash Threshold x1		
5	Guide Block x1	10	Wall Plug x12	15	Screw x12		

*NOTE: Threads on rollers and anti-jumps require a thread locker, sold separately. See instruction 4.



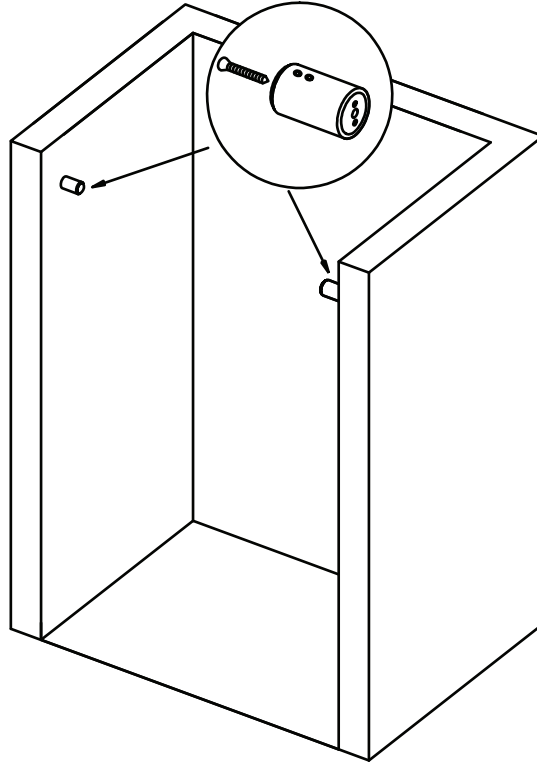
Tools Needed



CAUTION:

Risk of injury or product damage. During installation, tempered glass should not come in direct contact with metal parts as it may shatter. Always use gaskets between glass and metal. Avoid touching the edges of tempered glass with tools. Do not attempt to cut tempered glass as it will shatter.

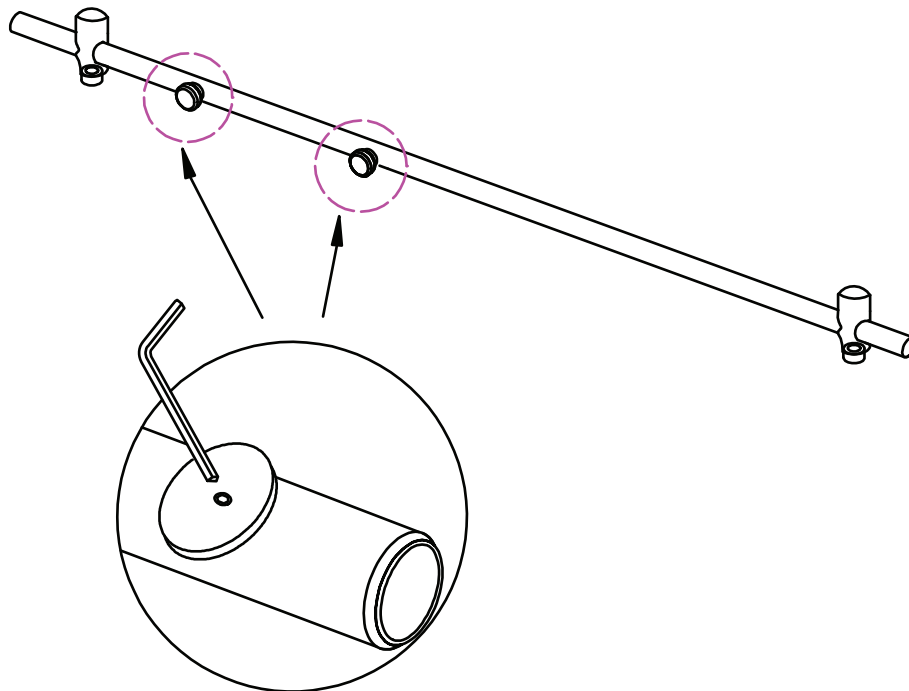
1



Mark and Install Wall Anchors

Locate and mark the spots on the shower wall for the wall anchors, typically where the side rails of the sliding shower door will be. Drill holes at these marked locations and insert the wall anchors into the holes. Secure the anchors by tightening screws to ensure a strong hold for the side rails.

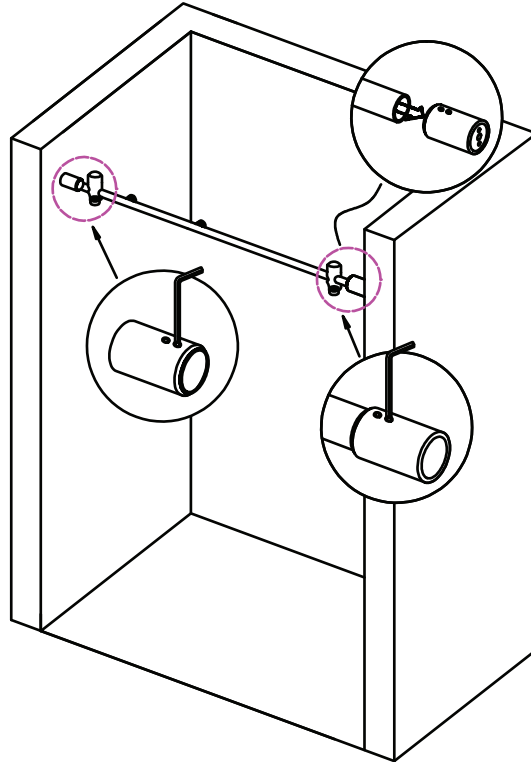
2



Install the Top Rail

Position the top rail above the wall anchors and align the holes with them. Insert screws through the rail into the anchors and tighten with an Allen wrench. This secures the top rail to the wall, ensuring a stable track for the sliding door.

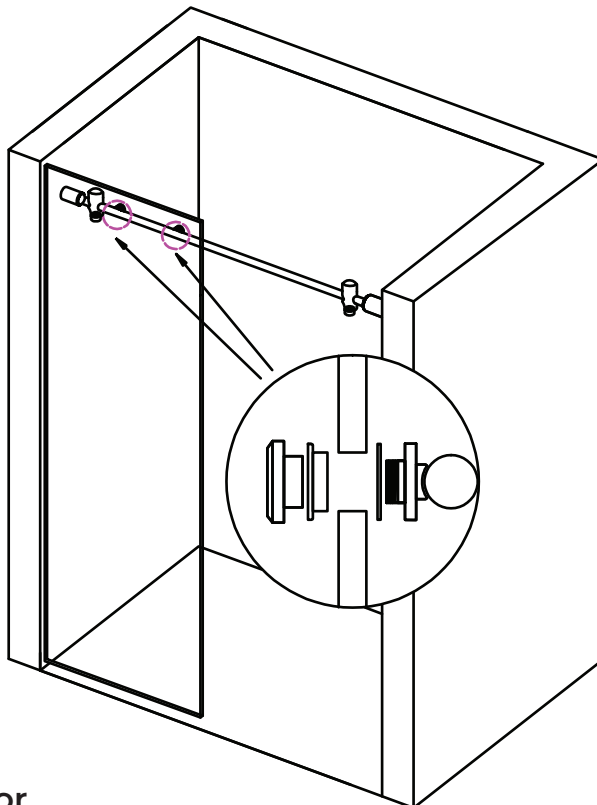
3



Secure the Top Rail Brackets

Position the brackets at both ends of the top rail and align them with the pre-drilled wall holes. Insert screws through the brackets and tighten with an Allen wrench. Ensure the top rail is level and adjust as needed for stability.

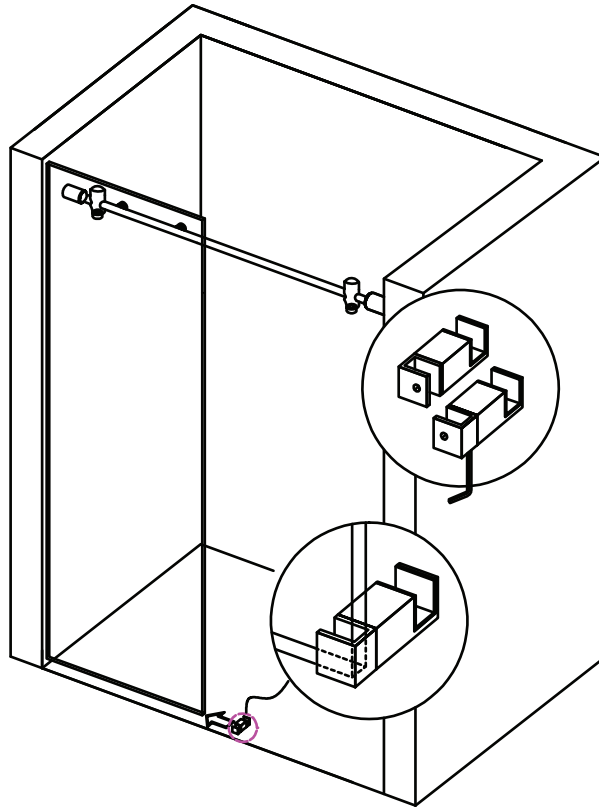
4



Hang the Sliding Door

Attach the rollers to the top of the sliding door, ensuring they are securely fastened. Lift the door and position the rollers onto the top rail, making sure the door is aligned and slides smoothly. Tighten any screws to secure the rollers and verify the door moves effortlessly along the rail.

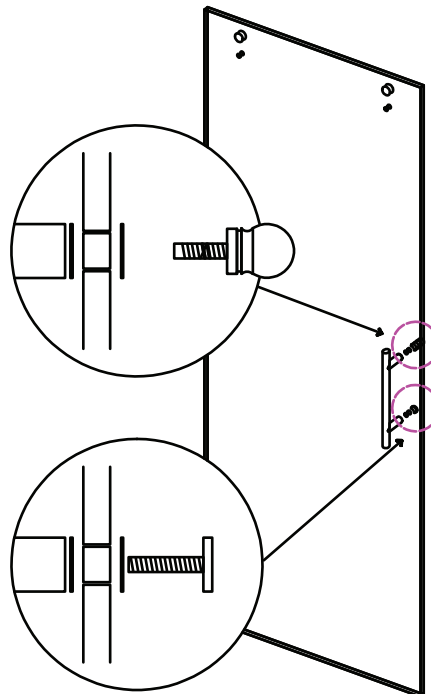
5



Install the Bottom Guide

Position the bottom guide on the shower base, aligning it with the sliding door. Mark and drill holes where the guide will be secured. Insert and tighten screws to attach the bottom guide, then check that the door moves smoothly and make any necessary adjustments for proper alignment.

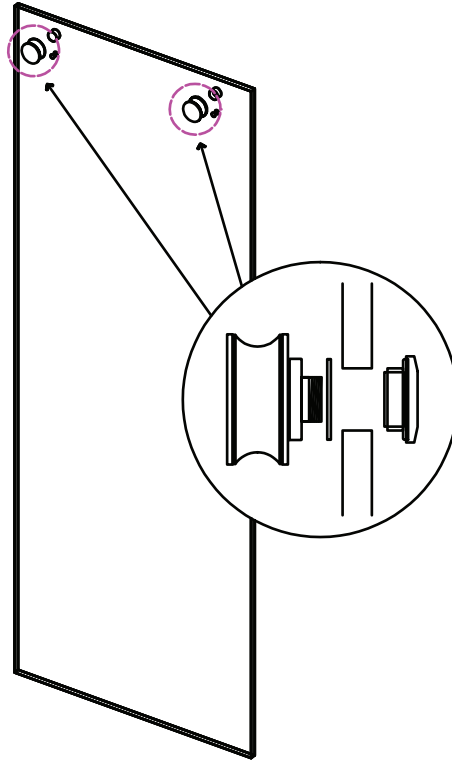
6



Install the Door Handle

Identify the pre-drilled holes on the sliding door for the handle installation. Place the handle brackets on both sides, aligning them with these holes, and insert screws through the brackets. Tighten the screws with a screwdriver or Allen wrench, ensuring the handle is firmly attached and does not wobble.

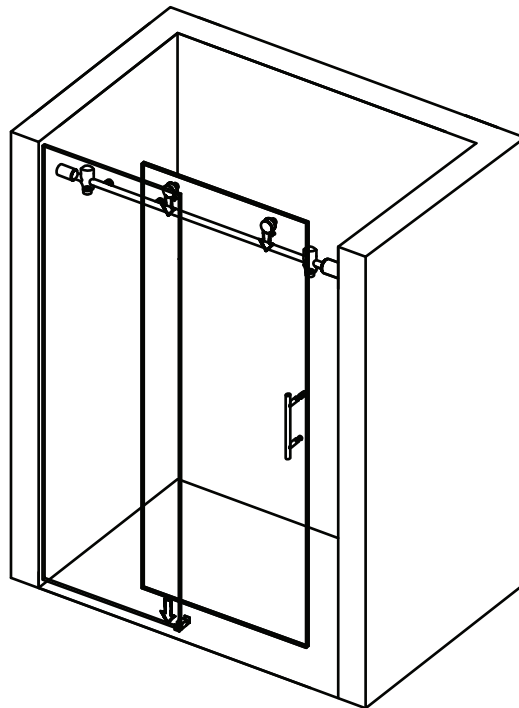
7



Install the Rollers on the Door

Identify the pre-drilled holes at the top of the sliding door for the rollers. Attach the rollers on both sides of the door, aligning them with the holes, and insert screws through the roller components. Tighten the screws with a screwdriver or Allen wrench, ensuring the rollers are securely fastened and can rotate freely.

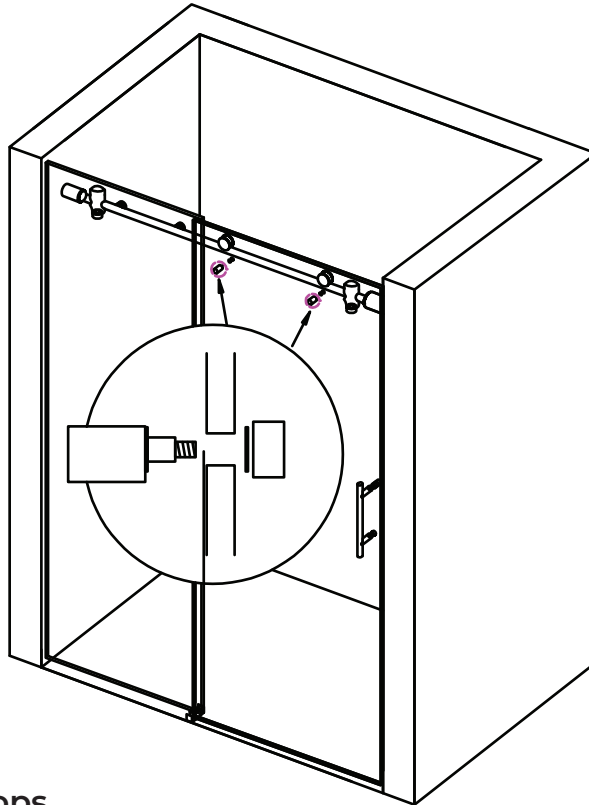
8



Final Adjustments and Testing

Lift the door with the rollers and hang it on the top rail, aligning it with the bottom guide. Adjust for smooth sliding and check the door's movement. Tighten all screws and fasteners.

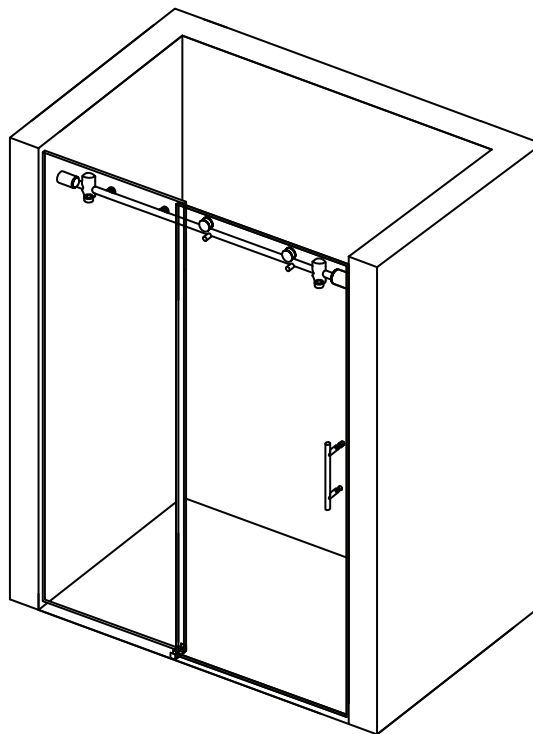
9



Position the Door Stops

Position the door stops on the top rail using the pre-drilled holes. Insert and tighten screws through the stops into the rail. Adjust the stops to ensure the door opens and closes within the desired range without excessive movement.

10



Final Inspection and Sealing

Inspect the installation to ensure all components are secure and the door operates smoothly. Apply silicone sealant along the edges of the side rails, bottom track, and joints, smoothing it out for a watertight seal. Allow the sealant to cure as instructed, then clean the door and surrounding area.