

The Diamond Elegant Design Coffee Table

SKU: FGM-TL-14C34



**FAB GLASS
AND MIRROR**

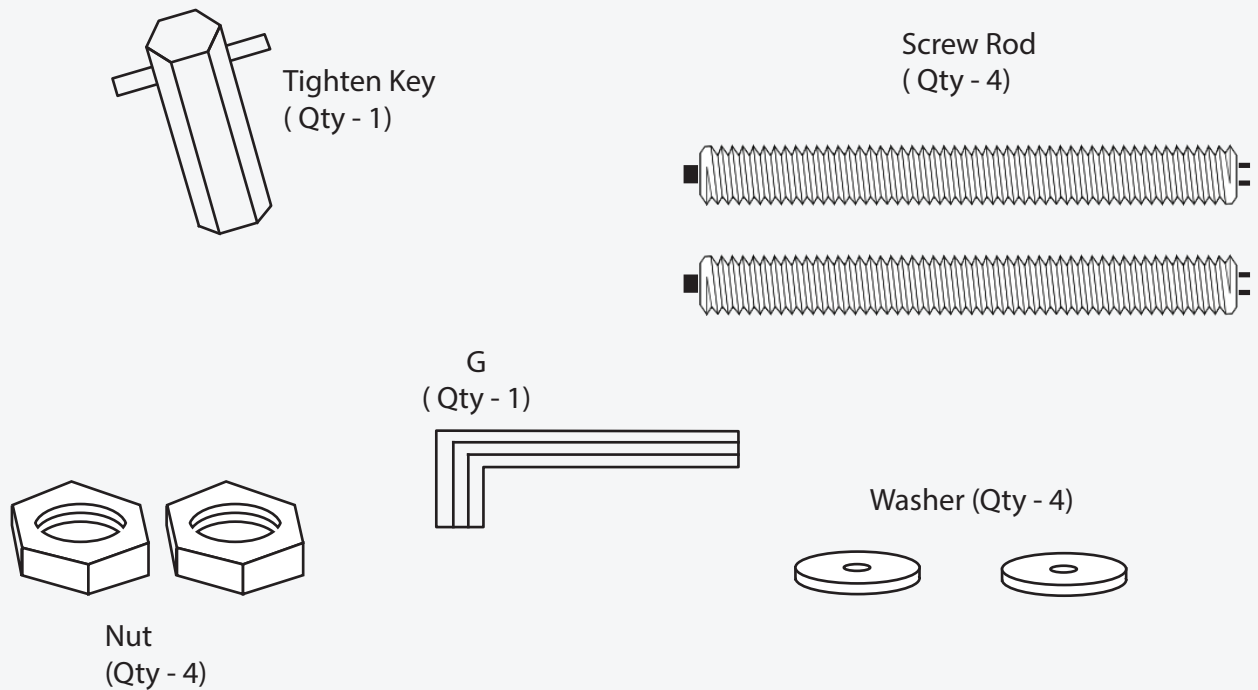
Thank you for your purchase! It is our desire to make your entire experience from purchase to installation as easy as possible. We ask that you read each step of this installation manual thoroughly to ensure proper installation of your new The Diamond Elegant Design Coffee Table. These installation instructions are very important. Installing your table in any manner other than the steps outlined in this manual may lead to structural failure of your table.



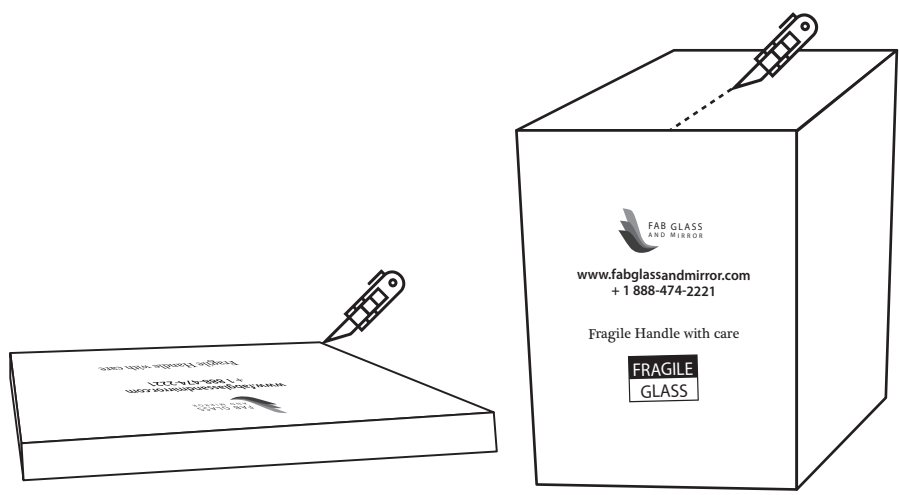
CAUTION

It is your responsibility to make sure your Glass Table is properly assembled, installed, and cared for. Failure to follow instructions in this manual could result in serious injury. Use this product with cautions as it is made from Glass.

HARDWARE INCLUDED PER YOUR ORDER

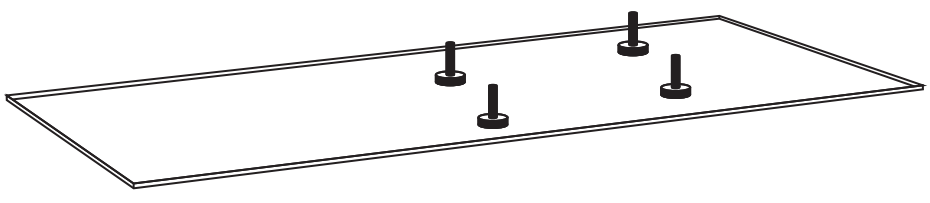


1



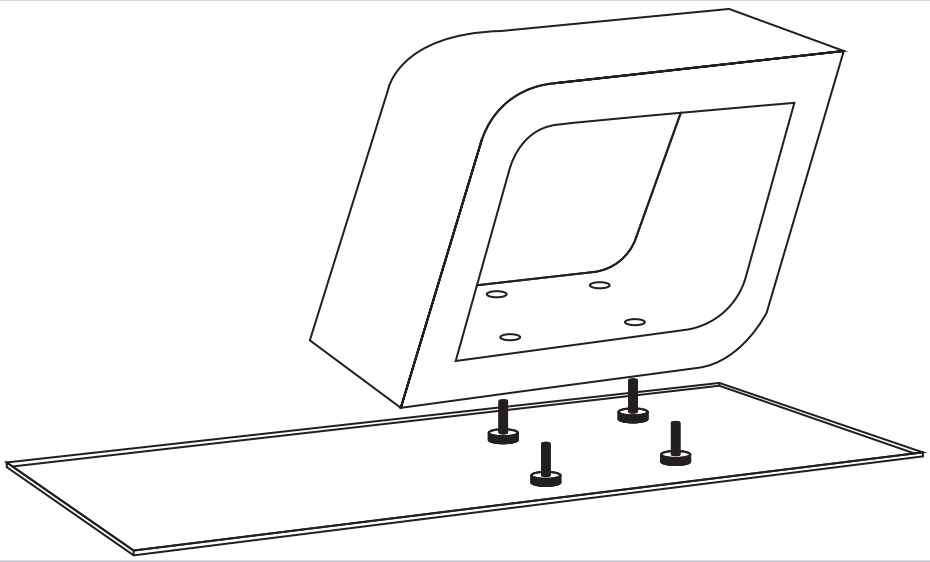
The Diamond Elegant Design Coffee Table comes with all the hardware needed to assemble it quickly.

2



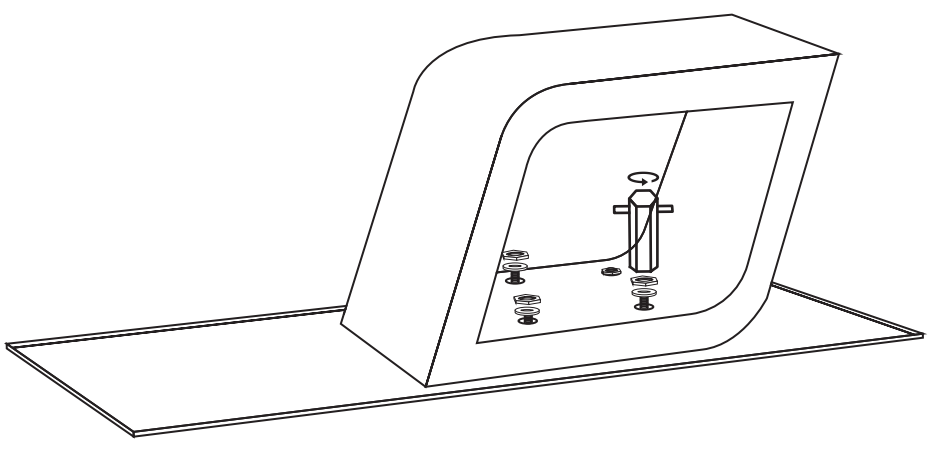
Stand the base (B) in an upright position and center the top portion

3

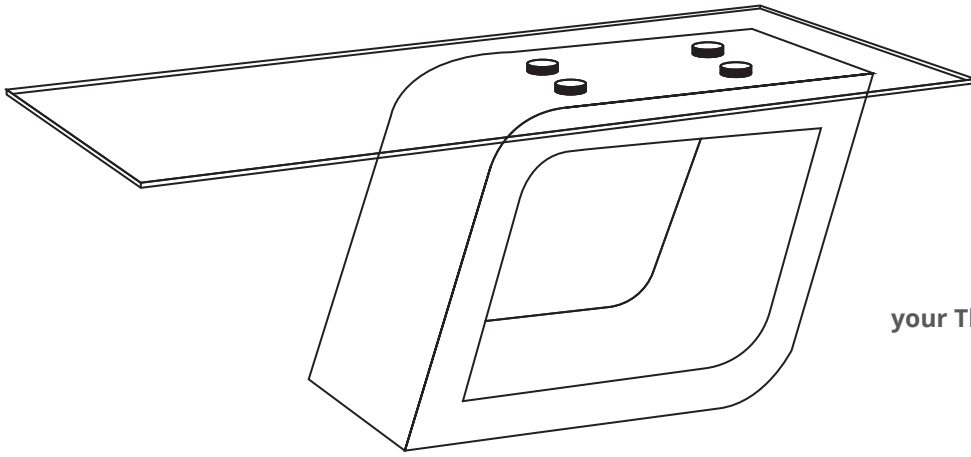


So the holes match up with those in the base. From the top, insert the screws

4



Add rubber washers into the holes, followed by the nuts.



Congratulations!

**You have successfully assembled
your The Diamond Elegant Design Coffee Table**